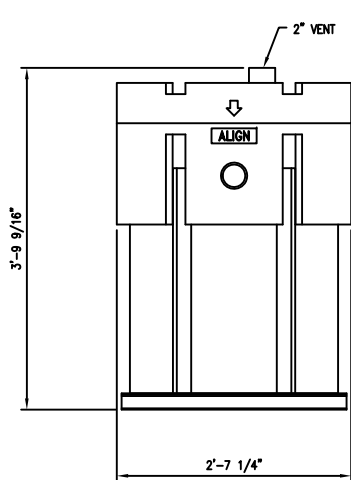
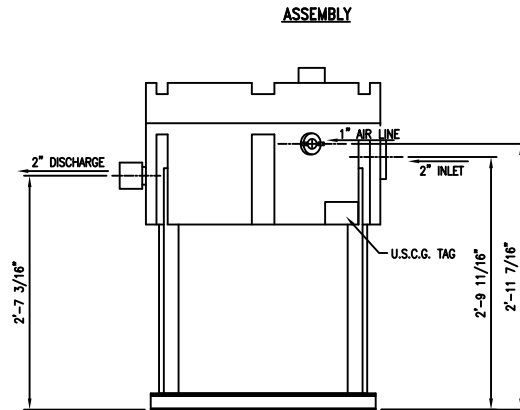


**NOTES:**

1. BASE OF CHLORINATOR TO BE EVEN OR LOWER THAT BASE OF BIO-SECTION.
2. SECURE TANKS' BASE STANDS ON A FLAT DECK OR BUILT UP FLAT SURFACE.
3. DO NOT COMBINE BIO-SECTION VENT WITH ANY OTHER VENT.
4. VENT TO TERMINATE NOT LESS THAN 10 FEET ABOVE WEATHER DECK, FROM ANY SOURCE OF IGNITION AND FROM ANY VENTILATION AIR INLET.
5. VENT TO TERMINATE HIGH RATHER THAN LOW, SINCE VENTED AIR IS WARMER THAN SURROUNDING AIR AND WILL RISE.
6. FLAME SCREEN IS NOT RECOMMENDED. IT WILL PLUG UP WITH LINT AND REQUIRE FREQUENT CLEANING. IF A FLAME SCREEN MUST BE USED, SCREEN TO BE TWO PIPE SIZES LARGER THAN VENT PIPE.
7. CONNECTING PIPING AND STANDARD PLUMBING PRACTICES AND INSTALLATION SHALL BE IN ACCORDANCE WITH REQUIREMENTS OF APPLICABLE REGULATORY BODIES.
8. FLEX OR HOSE CONNECTIONS RECOMMENDED FOR HOOK UP TO BIO-SECTION AND CHLORINATOR TO RELIEVE STRESS ON TANKS.
9. RECOMMENDED DISTANCE FROM CENTER OF BIO-SECTION TO CENTER OF CHLORINATOR IS 40".



**DISCHARGE VIEW**



**ELEVATION**

**BIO-SECTION**  
EST. WT.: 90 LBS. DRY  
EST. WT.: 540 LBS OPERATING

**NOTE:**  
WHEN BIO-SECTION IS FULLY ASSEMBLED, THE ARROW, ON THE LID, AND TEXT "ALIGN", ON THE DISCHARGE SIDE, SHOULD LINE UP ONE ON TOP OF THE OTHER.

**SEAHORSE MANUFACTURING L.L.C.**

5802 PARADISE LANE  
LYDIA, LOUISIANA 70560  
P.O. BOX 516  
LYDIA, LOUISIANA 70569  
PHONE: 337-365-9115  
MOBILE: 337-380-3482  
FAX: 337-365-9166

NO.	DATE	DESCRIPTION	DRAWN BY:	CLIENT:
7/15/04	ISSUED FOR APPROVAL	SJC		
8/26/05	ISSUED FOR CONSTRUCTION	SJC		
PROJECT:				ASSEMBLY
DRAWN BY: SJC				SMSD-400R
SCALE: NTS				
DATE DRAWN: 02/25/06				
APPROVED BY:				
DRAWING NUMBER				SMSD-400R-03
				LATEST REVISION