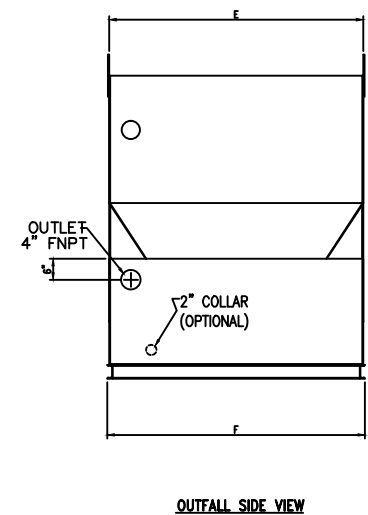
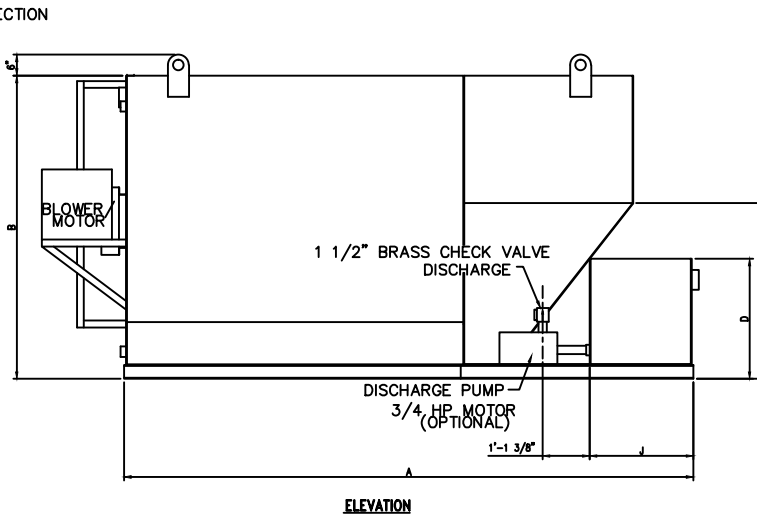
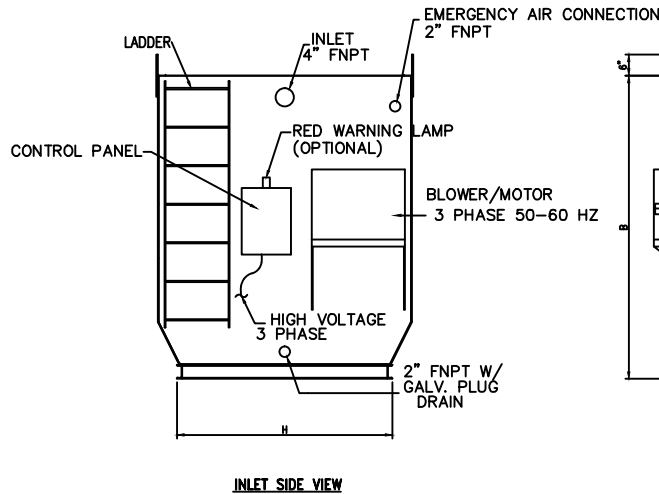
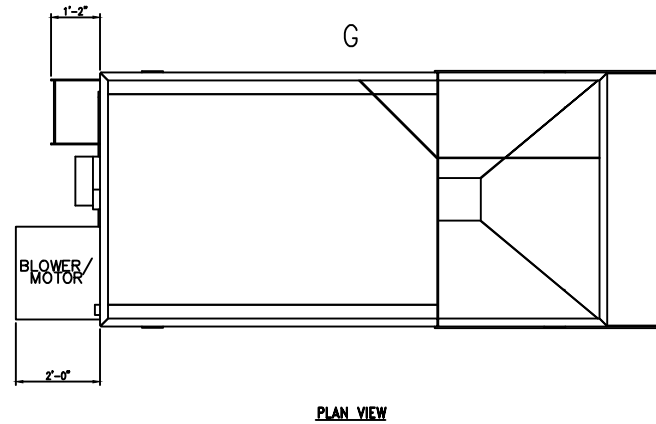


MODEL SMSD	A	B	C	D	E	F	G	H	J
500	8'-10 9/16"	6'-2 1/2"	4'-2 3/16"	2'-10 1/4"	4'-0 1/2"	4'-1 1/2"	7'-0 3/4"	3'-1 1/2"	2'-5 5/8"
750	8'-10 9/16"	7'-2 1/2"	4'-2 3/16"	2'-10 1/4"	4'-0 1/2"	4'-1 1/2"	7'-0 3/4"	3'-1 1/2"	2'-5 5/8"
1000	9'-10 9/16"	7'-4 1/2"	4'-2 3/16"	2'-10 1/4"	5'-0 1/2"	5'-1 1/2"	8'-0 3/4"	4'-1 1/2"	2'-5 5/8"
1500	11'-10 1/2"	7'-4 1/2"	4'-2 3/16"	2'-10 1/4"	6'-0 1/2"	6'-1 1/2"	10'-0 3/4"	5'-1 1/2"	2'-5 5/8"
2000	13'-6 7/16"	7'-4 1/2"	4'-2 3/16"	2'-10 1/4"	6'-0 1/2"	6'-1 1/2"	12'-0 3/4"	5'-1 1/2"	2'-5 5/8"
2500	14' - 8 3/4"	7'-4 1/2"	4'-2 3/16"	2'-10 1/4"	8'-0 1/2"	8'-1 3/4"	12'-0 3/4"	7'-1 3/4"	2'-5 5/8"
3000	15'-4 15/16"	7'-4 1/2"	4'-4"	3'-0"	8'-0 1/2"	8'-1 1/2"	14'-0"	7'-1 1/2"	2'-5 5/8"
3500	17'-0"	7'-4 1/2"	4'-4"	3'-0"	8'-0 1/2"	8'-1 1/2"	15'-7"	7'-1 1/2"	2'-5 5/8"
4000	18'-6"	7'-4 1/2"	4'-4"	3'-0"	8'-0 1/2"	8'-1 1/2"	17'-1"	7'-1 1/2"	2'-5 5/8"
4500	20'-0"	7'-4 1/2"	4'-4"	3'-0"	8'-0 1/2"	8'-1 1/2"	18'-6"	7'-1 1/2"	2'-5 5/8"
5000	23'-3 1/4"	8'-1 5/8"	4'-6"	3'-6"	8'-1 1/2"	8'-1 1/2"	20'-0 1/2"	7'-1 1/2"	4'-1"
5500	24'-3 1/4"	8'-1 5/8"	4'-6"	3'-6"	8'-0 1/2"	8'-1 1/2"	21'-0 1/2"	7'-1 1/2"	4'-1"
6000	25'-3 1/4"	8'-1 5/8"	4'-6"	3'-6"	8'-0 1/2"	8'-1 1/2"	22'-0 1/2"	7'-1 1/2"	4'-1"
7000	26'-3 1/4"	8'-1 5/8"	4'-6"	3'-6"	8'-0 1/2"	8'-1 1/2"	23'-0 1/2"	7'-1 1/2"	4'-1"
8000	26'-6"	8'-1 5/8"	4'-6"	3'-6"	8'-0 1/2"	8'-1 1/2"	26'-0"	6'-1 1/2"	4'-1"
8500	29'-1 5/8"	8'-1 5/8"	4'-6"	3'-6"	8'-0 1/2"	8'-1 1/2"	26'-0"	6'-1 1/2"	4'-1"



SEAHORSE MANUFACTURING L.L.C. 5802 PARADISE LANE LYDIA, LOUISIANA 70560 FAX: 337-365-9166		P.O. BOX 516 LYDIA, LOUISIANA 70569 PHONE: 337-365-9115 MOBILE: 337-385-3492		NO. DATE DESCRIPTION DRAWN BY: CLIENT: 12/22/04 ISSUED FOR APPROVAL SJC 12/23/04 ISSUED FOR CONSTRUCTION SJC 11/18/05 RENewed AS NOTED SJC	TITLE: OVERALL DIMENSIONS MODEL: SMSD 500 - 8500 PROJECT: DATE DRAWN: 12/20/06 DRAWN BY: SJC DATE: 12/20/06 SCALE: 3/4" = 1'-0" APPROVED BY:	LATEST REVISION FOOTPRINT DRAWING NUMBER
--	--	---	--	---	--	---