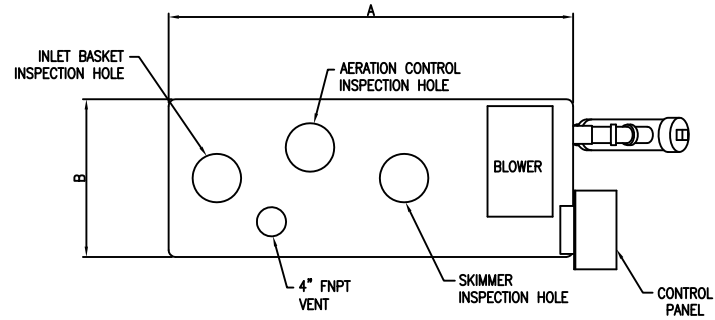
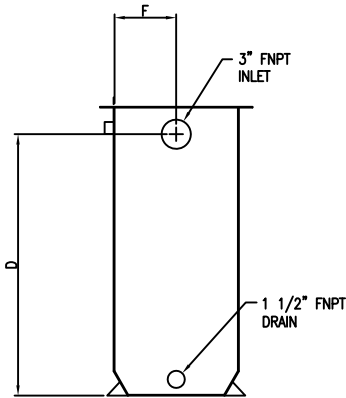


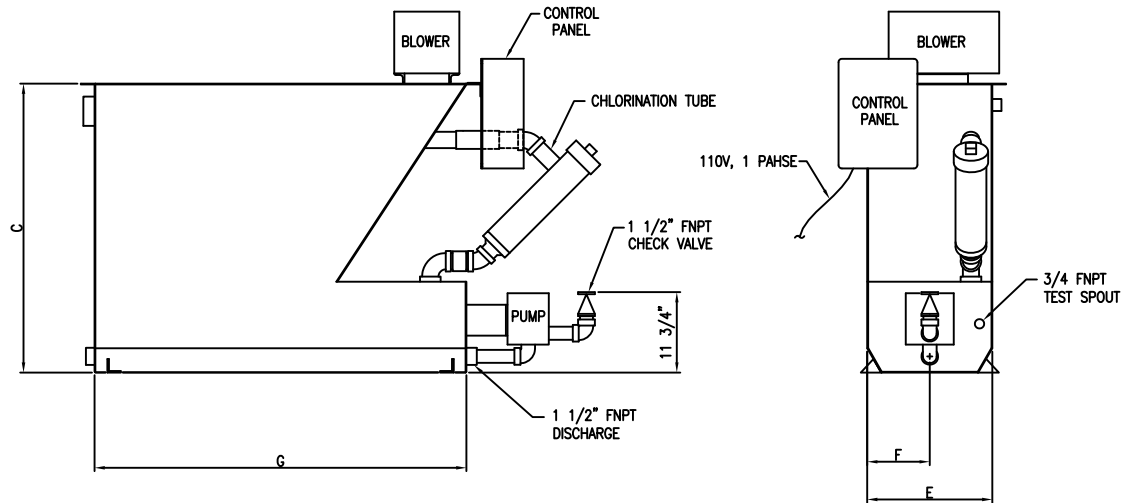
MODEL	A	B	C	D	E	F	G
100SP	3'-6"	1'-11"	2'-6 3/8"	2'-2 3/16"	1'-6 3/8"	9 3/16"	3'-0 3/8"
100Y	3'-5 3/16"	1'-11"	2'-6 3/8"	2'-2 3/8"	1'-5 3/8"	8 11/16"	3'-0 3/8"
200S	4'-10 5/16"	2'-3 15/16"	2'-6 3/16"	2'-2 3/16"	2'-0 3/8"	1'-0 3/16"	4'-6 3/8"



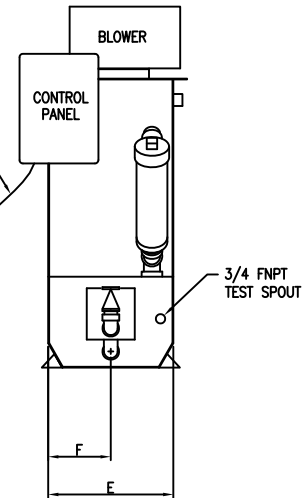
PLAN VIEW
SCALE: N.T.S.



AERATION SIDE VIEW
SCALE: N.T.S.



ELEVATION
SCALE: N.T.S.



HOPPER SIDE VIEW
SCALE: N.T.S.

SEAHORSE MANUFACTURING L.L.C.

5802 PARADISE LANE
LYDIA, LOUISIANA 70560

P.O. BOX 516
LYDIA, LOUISIANA 70569
PHONE: 337-365-9115
MOBILE: 337-580-2482

NO.	DATE	DESCRIPTION	DRWEN BY:	CLIENT:													
1	03/13/08	ISSUED FOR APPROVAL	SC														
<table border="0" style="width: 100%;"> <tr> <td colspan="2">OVERALL DIMENSIONS</td> <td rowspan="2" style="text-align: center; vertical-align: middle;">LATEST REVISION</td> </tr> <tr> <td colspan="2" style="text-align: center;">FOOTPRINT LAYOUT</td> </tr> <tr> <td>PROJECT:</td> <td>DATE DRAWN: 3/13/08</td> <td rowspan="2" style="text-align: center; vertical-align: middle;">MFP-000 DRAWING NUMBER</td> </tr> <tr> <td>DRWEN BY: SC</td> <td>APPROVED BY:</td> </tr> <tr> <td>SCALE: 1/2" = 1'-0"</td> <td></td> <td></td> </tr> </table>					OVERALL DIMENSIONS		LATEST REVISION	FOOTPRINT LAYOUT		PROJECT:	DATE DRAWN: 3/13/08	MFP-000 DRAWING NUMBER	DRWEN BY: SC	APPROVED BY:	SCALE: 1/2" = 1'-0"		
OVERALL DIMENSIONS		LATEST REVISION															
FOOTPRINT LAYOUT																	
PROJECT:	DATE DRAWN: 3/13/08	MFP-000 DRAWING NUMBER															
DRWEN BY: SC	APPROVED BY:																
SCALE: 1/2" = 1'-0"																	